

ALL DIMENSIONS IN INCHES

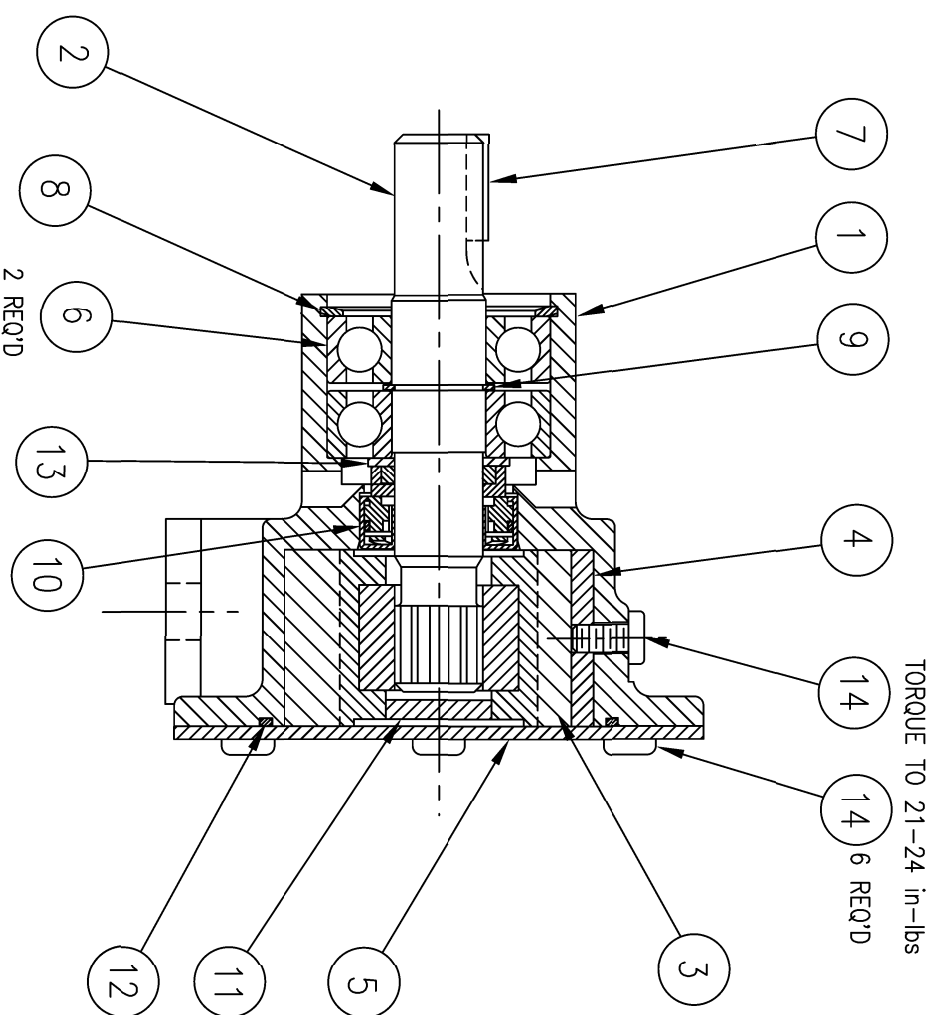
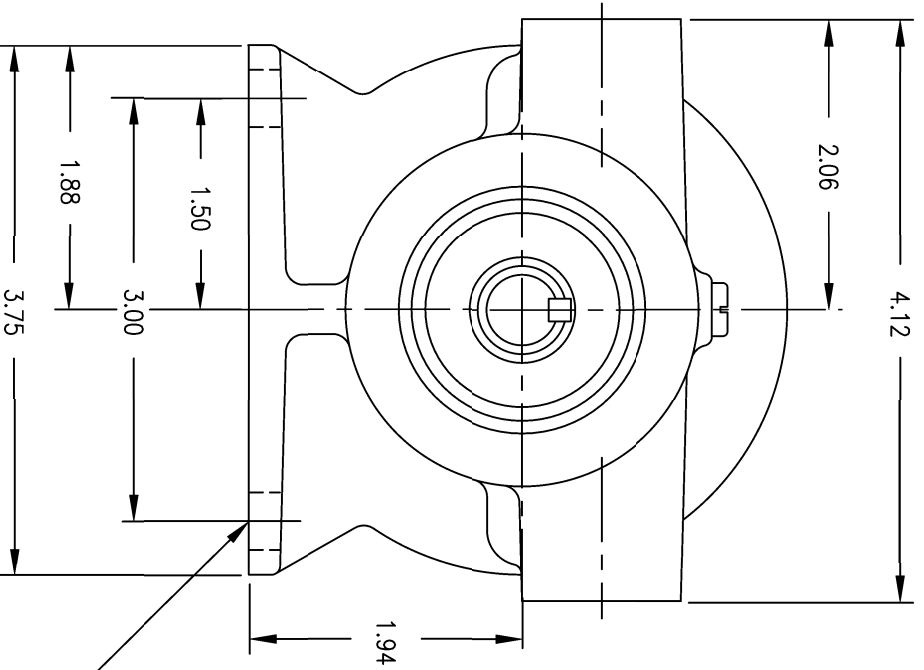
ITEM	PART NO.	DESCRIPTION	REF
1	3354-0000	BODY MACHINED	1
2	1264-0000	SHAFT	1
3	1210-0101	IMPELLER	1
4	490-6000	CAM	1
5	11836-6000	END COVER	1
6	SP2600-12H	BEARING	2
7	9215-6010	KEY	1
8	91700-3010	RETAINING RING	1
9	91700-0660	RETAINING RING	1
10	96080-6080	SEAL, MECHANICAL	1
11	4345-0001	SEAL, SPLINE	1
12	92000-1210	O-RING	1
13	91613-1388	WASHER - SPACER	1
14	91045-0403	SCREW, PAN HD #10-32 x 3/8	7

PACKAGING ITEMS FOR UK BUILD

23007-5632	LABEL - CARTON	1
PC100-0005	CARTON	1
43000-0496	DATA SHEET 1673	1
43003-0813	LABEL - WARNING	1

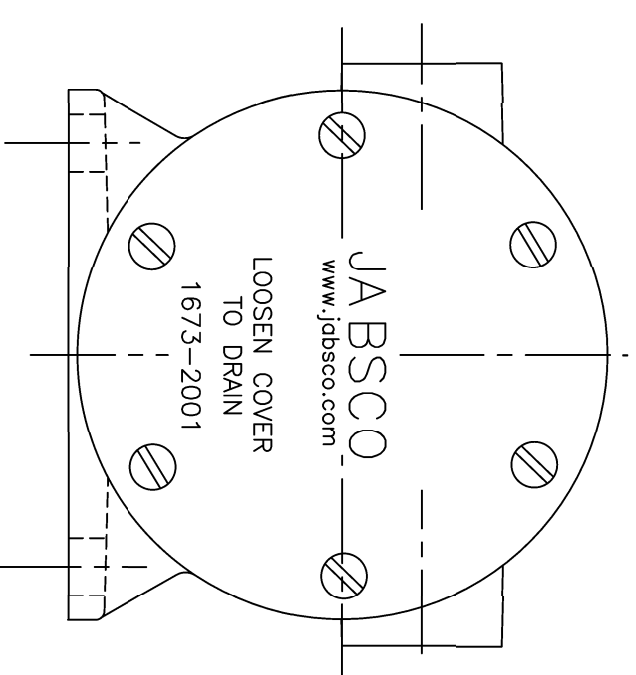
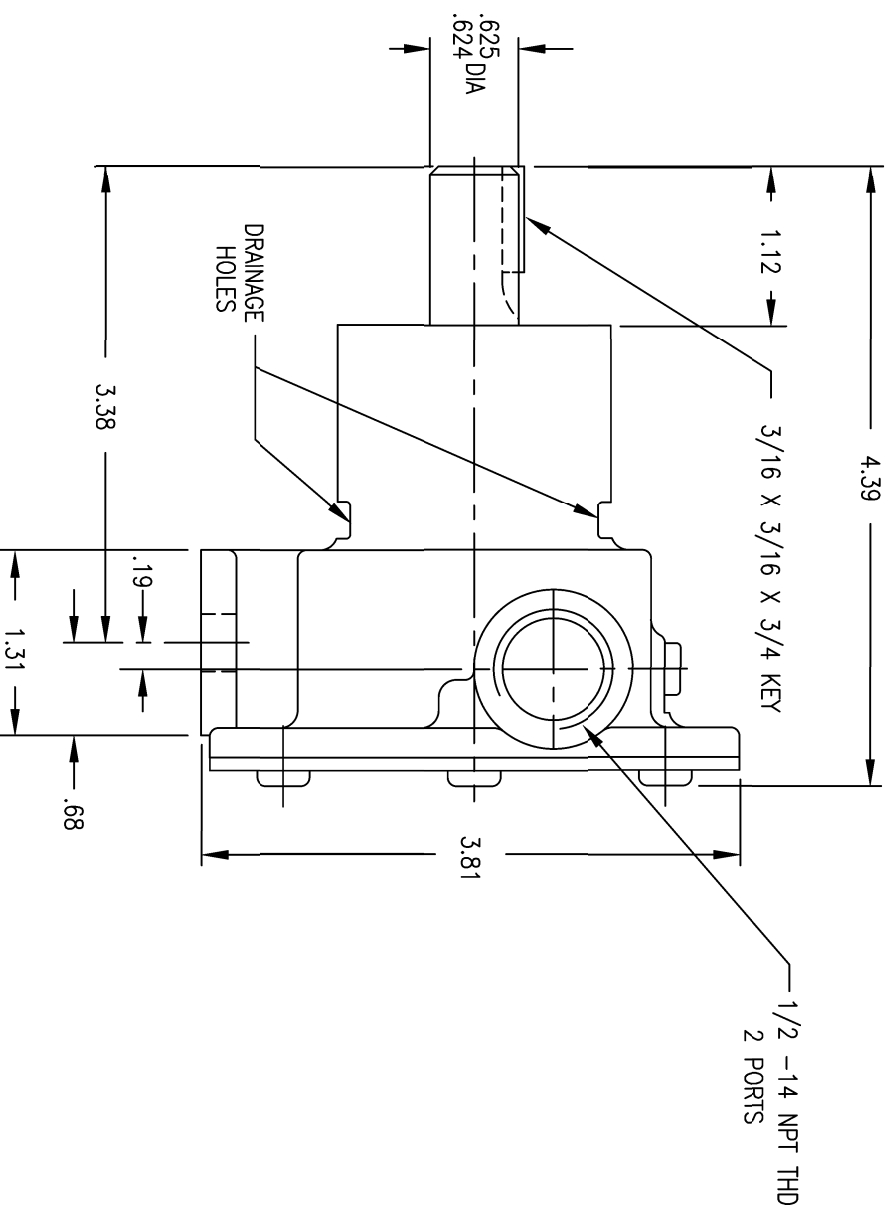
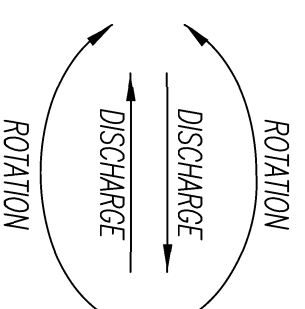
PACKAGING ITEMS FOR US BUILD

23007-5632	LABEL - PRINTING	REF
43003-9202	LABEL - BLANK	1
PC100-0005	CARTON	1
43000-0496	DATA SHEET 1673	1
43003-0813	LABEL - WARNING	1



NOTES:

1. STAMP END COVER WITH MODEL NUMBER.
2. PLACE LABEL 43003-0813 LOOSE IN TOP OF INDIVIDUAL CARTON WHERE IT CAN BE SEEN WHEN PUMP IS UNPACKED.



ISSUE	CHANGE	DATE	NOTICE	REMOVE SAND, FIN, FLASH & SCALE FROM CASTINGS, FORGINGS & MOLDINGS. PART TO BE FREE OF BURRS. TOLERANCES UNLESS OTHERWISE STATED:	DO NOT SCALE - REPORT ERRORS	SCALE:	DRAWN	DATE	MATERIAL:	ITT Industries	Jabscoc Hoddesdon, Herts	2008
N	007486	16/10/10	THIS DRAWING MAY REPRESENT A PROPRIETARY ARTICLE OR ONE ON WHICH PATENTS ARE APPLIED FOR OR ISSUED. REPRODUCTION THEREOF OR MANUFACTURE OF PARTS THEREFROM IS NOT PERMISSIBLE WITHOUT THE WRITTEN PERMISSION OF ITT JABSCO	LINEAR ±		1:1	HC	06.06.08				
M	005613	23/11/09		ANGULAR ±								
L	004580	8/4/09										
K	002858	06.06.08										
<p>PROJECTION</p> <p>TITLE: 1/2 ENGINE COOLING PUMP</p> <p>DRAWING NO.: 1673-2001</p>												